

BEERMAX



Every drop matters.

Wherever you are, in real-time, manage your beer lines

Operations transparency leads to **improved performance.**

Beermax integrates with the POS systems to **monitor and authorize beer dispensing** in all your point of sales, **in real time, remotely.**

Optimize your SPR, Sold-to-Pour ratio:

Get a **real time comparison** between your cash register system* and what is actually dispensed to **increase profitability.**

* The Beermax Version 2022 operates with Lightspeed cash registers. Future versions with other leading existing POS systems.

Two service modes available, switch from one to another at any time



POS Authorization

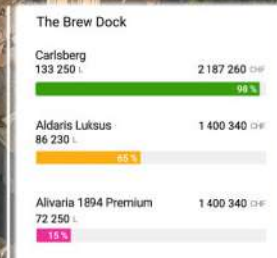
Valves are locked till orders are generated at the point of sale. This is the default mode.



Rush Hours

Leaves the valves open, where customers could be served before paying. Very useful on busy bars.

Enable your IoT world with Drinkotec



With 40 years of expertise in beverage dispensers, Drinkotec knows the industry's needs inside out. Over the years we created an **360° ecosystem** where Data matters.

All our devices are connected to a unique secured analytics platform: **Loop³⁶⁰ Analytics**.

Beverage brands and their customers will empower the teams with this **powerful & user-friendly** beverage operations platform to manage sales, marketing, technical, inventory operations and drive customer success.

Bakusyu Club Pop

Carlsberg
2 187 260 CHF

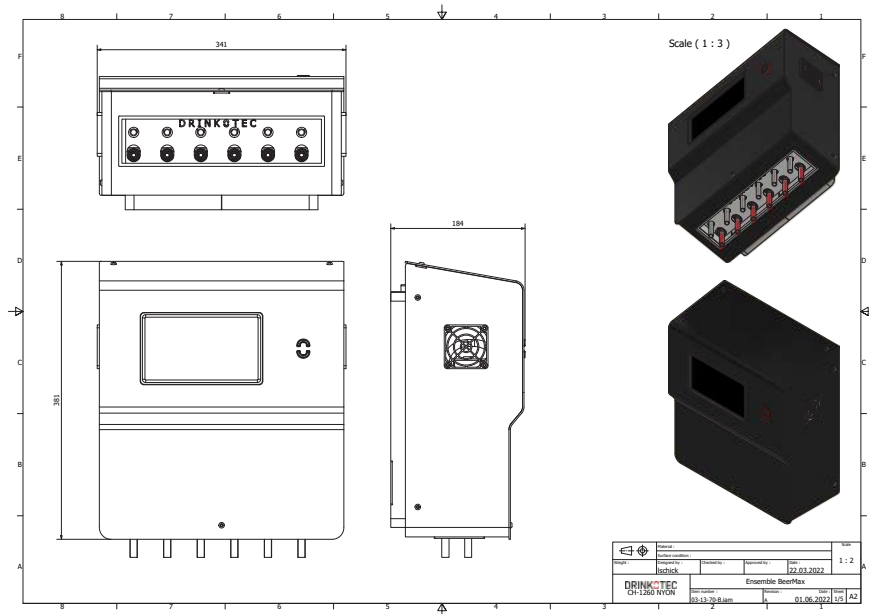
Technical features

- ⊕ The Beermax can monitor and authorize up to **6 beer lines**
- ⊕ **Easy to install**, the Beermax must be placed between the kegs and the cooler
- ⊕ No need to change your all installations. Beermax is directly connected to your kegs
- ⊕ 7" touch screen to visualize the SPR on real time

Main platform features

- ⊕ Real-time sales performance
- ⊕ Optimized SPR (Sold-to-Poured Ratio)
- ⊕ Remote Beverage quality monitoring
- ⊕ Inventory anticipation
- ⊕ New engagement marketing channel





Standard Requirements

- The BEERMAX must be placed between your kegs and the cooler
- It must be LAN connected to the cash register system

Connectivity

4G equipped

General

Maximum number of managed taps	6
User interface	Touch Panel

Specification

Physical Data

Height	381 mm
Width	335 mm
Depth	183 mm
Weight	9 kg

Electrical

Mains voltage/frequency	Male plug type F / type J _100-240 V
Power	240 W
AC current (Typ.)	4A@115VAC 2A@230VAC 1.2@277VAC

Beer Pressure

Max\Min Beer pressure	4 bar/0,8 bar
-----------------------	---------------

Operating Temperature

Min/Max	2°/25°
---------	--------

For further information:
price list, distributor contracts,
logistic etc., please send a request
to our sales team at **sales@drinkotec.ch**

